

- ◇ STRUCTURE Silicon Monolithic Integrated Circuit
- ◇ PRODUCT I²C BUS Serial EEPROMs
- ◇ SERIES SIGNATURE SERIES
- ◇ FAMILY BR24C□□ family
- ◇ TYPE Supply voltage 4.5V~5.5V/Operating temperature -40°C~+85°Ctype
- ◇ PART NUMBER **BR24C□□-□□6TP**

PART NUMBER	PACKAGE	DENSITY
BR24C01-MN6TP	SO8 narrow	1Kbit
BR24C02-MN6TP		2Kbit
BR24C04-MN6TP		4Kbit
BR24C08-MN6TP		8Kbit
BR24C16-MN6TP		16Kbit
BR24C32-MN6TP		32Kbit
BR24C64-MN6TP		64Kbit
BR24C01-DW6TP	TSSOP8	1Kbit
BR24C02-DW6TP		2Kbit
BR24C04-DW6TP		4Kbit
BR24C08-DW6TP		8Kbit
BR24C16-DW6TP		16Kbit
BR24C32-DW6TP		32Kbit
BR24C01-DS6TP	TSSOP8 3 × 3mm ²	1Kbit
BR24C02-DS6TP		2Kbit
BR24C04-DS6TP		4Kbit
BR24C08-DS6TP		8Kbit
BR24C16-DS6TP		16Kbit

◇ FEATURES

Two wire serial interface
 Endurance : 1,000,000 erase/write cycles
 Data retention : 40years
 Initial Data FFh in all address

◇ ABSOLUTE MAXIMUM RATING

Symbol	Parameter	Min	Max	Unit
Tstg	Storage Temperature	-65	125	°C
Vio	Terminal Voltage	-0.3	Vcc+0.3	V
Vcc	Supply Voltage	-0.3	6.5	V

◇ POWER DISSIPATION (Ta=25°C)

PACKAGE	Rating	Unit
SO8 narrow	450 *1	mW
TSSOP8	330 *2	mW
TSSOP8 3 × 3mm ²	310 *3	mW

* Degradation is done at 4.5mW/°C(*1), 3.3mW/°C(*2), 3.1mW/°C(*3) for operation above 25°C

◇ RECOMMENDED OPERATING CONDITION

Symbol	Parameter	Min	Max	Unit
V _{cc}	Supply Voltage	4.5	5.5	V
T _A	Ambient Operating Temperature	-40	85	°C

◇ DC OPERATING CHARACTERISTICS
(Unless otherwise specified Ta=-40~85°C, V_{cc}=4.5~5.5V)

Parameter	Symbol	Min.	Max.	Unit	Test condition
Input Leakage Current (SCL,SDA)	I _{LI}	-	±2	μA	VIN=Vss or Vcc
Output Leakage Current	I _{LO}	-	±2	μA	VOUT= Vss or Vcc (SDA in Hi-Z)
Supply Current	I _{CC}	-	2	mA	Vcc=5V, f _c =400kHz
Stand-by Supply Current	I _{CC1}	-	1 *1	μA	VIN =Vss or Vcc, Vcc=5V
		-	10 *2		
Input Low Voltage (E2,E1,E0,SCL,SDA)	V _{IL}	-	0.3V _{cc}	V	
Input Low Voltage (\overline{WC})	V _{IL}	-	0.5 *1	V	
		-	0.3V _{cc} *2		
Input High Voltage (E2,E1,E0,SCL,SDA, \overline{WC})	V _{HI}	0.7V _{cc}	-	V	
Output Low Voltage	V _{OL}	-	0.4	V	IOL=3mA, Vcc=5V

*1 BR24C01/02/04/08/16

*2 BR24C32/64

◇ AC OPERATING CHARACTERISTICS
(Unless otherwise specified Ta=-40~85°C, V_{cc}=4.5~5.5V)

Parameter	Symbol	Min	Max	Unit
Clock Frequency	f _c	-	400	kHz
Clock Pulse Width High	t _{CHCL}	600	-	ns
Clock Pulse Width Low	t _{CLCL}	1300	-	ns
SDA Fall Time *1	t _{OL,OLZ}	20	300	ns
Data In Set Up Time	t _{DSX}	100	-	ns
Data In Hold Time	t _{DLX}	0	-	ns
Data Out Hold Time	t _{DLX}	200	-	ns
Clock Low to Next Data Valid(Access Time)	t _{CLDV}	200	900	ns
Start Condition Set Up Time	t _{DSX}	600	-	ns
Start Condition Hold Time	t _{DLX}	600	-	ns
Stop Condition Set Up Time	t _{DSX}	600	-	ns
Time between Stop Condition and Next Start Condition	t _{MDL}	1300	-	ns
Write Time	t _w	-	5	ms

*1 Not 100% TESTED

○This product is not designed for protection against radioactive rays.

◇ BLOCK DIAGRAM

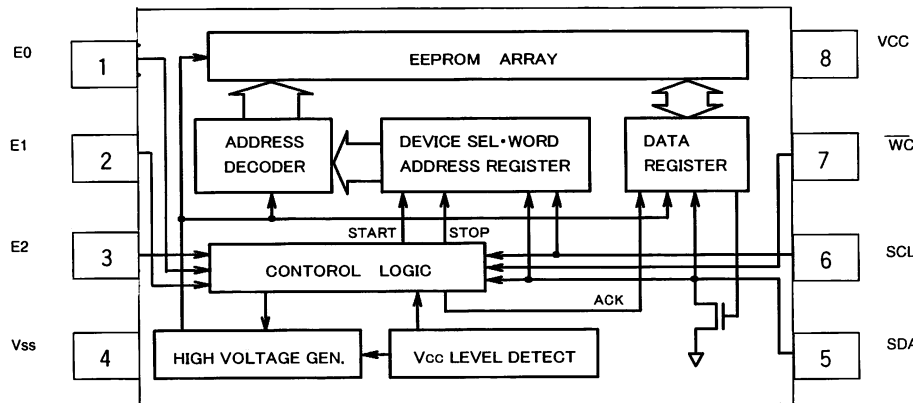


Fig.-1 BLOCK DIAGRAM

◇ PIN No., PIN NAME

PIN No.	PIN NAME
1	E0
2	E1
3	E2
4	Vss
5	SDA
6	SCL
7	\overline{WC}
8	Vcc

◇NOTES FOR POWER SUPPLY

Vcc rises through the low voltage region in which internal circuit of IC and the controller are unstable, so that device may not work properly due to an incomplete reset of internal circuit. To prevent this, the device has the feature of P.O.R. and LVCC. In the case of power up, keep the following conditions to ensure functions of P.O.R. and LVCC.

1. It is necessary to be "SDA='H'" and "SCL='L' or 'H'".
2. Follow the recommended conditions of tR, tOFF, Vbot for the function of P.O.R. during power up.

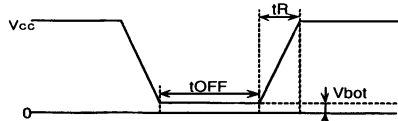


Fig.-2 Vcc RISING WAVEFORM

◇RECOMMENDED CONDITIONS OF tR, tOFF, Vbot

tR	tOFF	Vbot
Below 10ms	Above 10ms	Below 0.3V
Below 100ms	Above 10ms	Below 0.2V

3. Prevent SDA and SCL from being "High-Z".

In case that condition 1. and/or 2. cannot be met, take following actions.

- A) Unable to keep condition 1.
(SDA is "LOW" during power up.)
→ Control SDA ,SCL to be "HIGH" as Fig.-3(a), 3(b).
- B) Unable to keep condition 2.
→ After power becomes stable, execute software reset.
- C) Unable to keep both conditions 1 and 2.
→ Follow the instruction A first, then the instruction B.

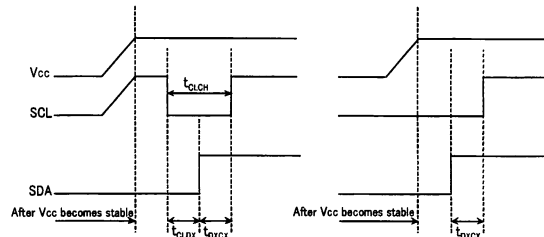


Fig.-3(a) SCL='H' and SDA='L'

Fig.-3(b) SCL='L' and SDA='L'

◇CAUTIONS ON USE

- (1) Absolute maximum ratings

If the absolute maximum ratings such as impressed voltage and action temperature range and so forth are exceeded, LSI may be destructed. Do not impress voltage and temperature exceeding the absolute maximum ratings. In the case of fear exceeding the absolute maximum ratings, take physical safety countermeasures such as fuses, and see to it that conditions exceeding the absolute maximum ratings should not be impressed to LSI.

- (2) Vss electric potential

Set the voltage of Vss terminal lowest at any action condition. Make sure that each terminal voltage is lower than that of Vss terminal.

- (3) Thermal design

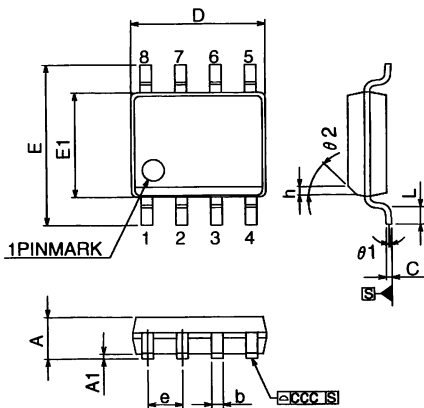
In consideration of permissible loss in actual use condition, carry out heat design with sufficient margin.

- (4) Terminal to terminal shortcircuit and wrong packaging

When to package LSI onto a board, pay sufficient attention to LSI direction and displacement. Wrong packaging may destruct LSI. And in the case of shortcircuit between LSI terminals and terminals and power source, terminal and Vss owing to foreign matter, LSI may be destructed.

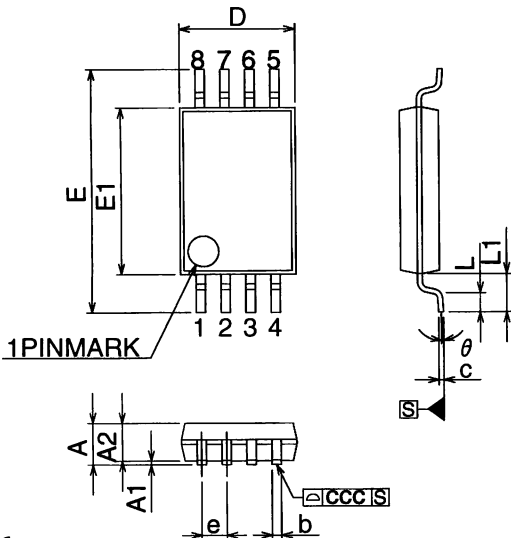
- (5) Use in a strong electromagnetic field may cause malfunction, therefore, evaluated design sufficiently.

◇ PHYSICAL DIMENSION



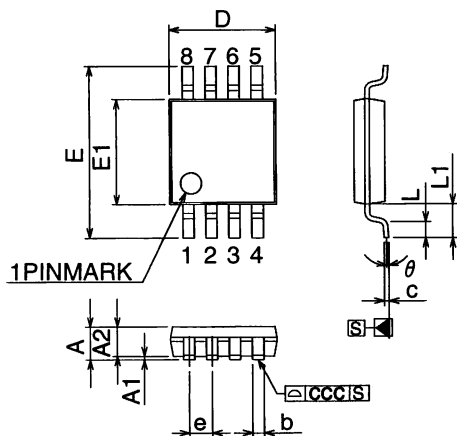
Notes
 1.This drawing is subject to change without notice.
 2.Body dimensions do not include mold flash or protrusion, or gate burns.
 3.Reference JEDEC MS-012 variation AA.

Fig.-4 SO8 narrow Package Outline



Notes
 1.This drawing is subject to change without notice.
 2.Body dimensions do not include mold flash or protrusion, or gate burns.
 3.Reference JEDEC MO-153 variation AA.

Fig.-5 TSSOP Package Outline



Notes
 1.This drawing is subject to change without notice.
 2.Body dimensions do not include mold flash or protrusion, or gate burns.
 3.Reference JEDEC MO-187 variation AA.

Fig.-6 TSSOP 3 x 3mm² Package Outline

◇ SO8 narrow Package size data

Symb.	mm			inches		
	Typ.	Min.	Max.	Typ.	Min.	Max.
A	-	1.35	1.75	-	0.053	0.069
A1	-	0.10	0.25	-	0.004	0.010
b	-	0.33	0.51	-	0.013	0.020
c	-	0.19	0.25	-	0.007	0.010
D	-	4.80	5.00	-	0.189	0.197
e	1.27	-	-	0.050	-	-
E	-	5.80	6.20	-	0.228	0.244
E1	-	3.80	4.00	-	0.150	0.157
L	-	0.40	1.27	0.050	0.016	0.050
theta 1	-	0°	8°	-	0°	8°
ccc	-	-	0.10	-	-	0.004
h	-	0.25	0.50	-	0.010	0.020
theta 2	45°	-	-	45°	-	-

◇ TSSOP8 Package size data

Symb.	mm			inches		
	Typ.	Min.	Max.	Typ.	Min.	Max.
A	-	-	1.200	-	-	0.0472
A1	-	0.050	0.150	-	0.0020	0.0059
A2	1.000	0.800	1.050	0.0394	0.0315	0.0413
b	-	0.190	0.300	-	0.0075	0.0118
c	-	0.090	0.200	-	0.0035	0.0079
D	3.000	2.900	3.100	0.1181	0.1142	0.1220
e	0.650	-	-	0.0256	-	-
E	6.400	6.200	6.600	0.2520	0.2441	0.2598
E1	4.400	4.300	4.500	0.1732	0.1693	0.1772
L	0.600	0.450	0.750	0.0236	0.0177	0.0295
L1	1.000	-	-	0.0394	-	-
ccc	-	-	0.100	-	-	0.0039
theta	-	0°	8°	-	0°	8°

◇ TSSOP8 3 x 3mm² Package size data

Symb.	mm			inches		
	Typ.	Min.	Max.	Typ.	Min.	Max.
A	-	-	1.100	-	-	0.0433
A1	-	0.050	0.150	-	0.0020	0.0059
A2	0.850	0.750	0.950	0.0335	0.0295	0.0374
b	-	0.250	0.400	-	0.0098	0.0157
c	-	0.120	0.230	-	0.0047	0.0091
D	3.000	2.900	3.100	0.1181	0.1142	0.1220
e	0.650	-	-	0.0256	-	-
E	4.900	4.650	5.150	0.1929	0.1831	0.2028
E1	3.000	2.900	3.100	0.1181	0.1142	0.1220
L	0.550	0.400	0.700	0.0217	0.0157	0.0276
L1	0.950	-	-	0.0374	-	-
ccc	-	-	0.100	-	-	0.0039
theta	-	0°	6°	-	0°	6°

Notes

- No technical content pages of this document may be reproduced in any form or transmitted by any means without prior permission of ROHM CO.,LTD.
- The contents described herein are subject to change without notice. The specifications for the product described in this document are for reference only. Upon actual use, therefore, please request that specifications to be separately delivered.
- Application circuit diagrams and circuit constants contained herein are shown as examples of standard use and operation. Please pay careful attention to the peripheral conditions when designing circuits and deciding upon circuit constants in the set.
- Any data, including, but not limited to application circuit diagrams information, described herein are intended only as illustrations of such devices and not as the specifications for such devices. ROHM CO.,LTD. disclaims any warranty that any use of such devices shall be free from infringement of any third party's intellectual property rights or other proprietary rights, and further, assumes no liability of whatsoever nature in the event of any such infringement, or arising from or connected with or related to the use of such devices.
- Upon the sale of any such devices, other than for buyer's right to use such devices itself, resell or otherwise dispose of the same, no express or implied right or license to practice or commercially exploit any intellectual property rights or other proprietary rights owned or controlled by
- ROHM CO., LTD. is granted to any such buyer.
- Products listed in this document are no antiradiation design.

The products listed in this document are designed to be used with ordinary electronic equipment or devices (such as audio visual equipment, office-automation equipment, communications devices, electrical appliances and electronic toys).

Should you intend to use these products with equipment or devices which require an extremely high level of reliability and the malfunction of which would directly endanger human life (such as medical instruments, transportation equipment, aerospace machinery, nuclear-reactor controllers, fuel controllers and other safety devices), please be sure to consult with our sales representative in advance.

About Export Control Order in Japan

Products described herein are the objects of controlled goods in Annex 1 (Item 16) of Export Trade Control Order in Japan.

In case of export from Japan, please confirm if it applies to "objective" criteria or an "informed" (by MITI clause) on the basis of "catch all controls for Non-Proliferation of Weapons of Mass Destruction.

Thank you for your accessing to ROHM product informations.
More detail product informations and catalogs are available,
please contact your nearest sales office.

Please contact our sales offices for details ;

U.S.A / San Diego	TEL : +1(858)625-3630	FAX : +1(858)625-3670
Atlanta	TEL : +1(770)754-5972	FAX : +1(770)754-0691
Dallas	TEL : +1(972)312-8818	FAX : +1(972)312-0330
Germany / Dusseldorf	TEL : +49(2154)9210	FAX : +49(2154)921400
United Kingdom / London	TEL : +44(1)908-282-666	FAX : +44(1)908-282-528
France / Paris	TEL : +33(0)1 56 97 30 60	FAX : +33(0) 1 56 97 30 80
China / Hong Kong	TEL : +852(2)740-6262	FAX : +852(2)375-8971
Shanghai	TEL : +86(21)6279-2727	FAX : +86(21)6247-2066
Dilian	TEL : +86(411)8230-8549	FAX : +86(411)8230-8537
Beijing	TEL : +86(10)8525-2483	FAX : +86(10)8525-2489
Taiwan / Taipei	TEL : +866(2)2500-6956	FAX : +866(2)2503-2869
Korea / Seoul	TEL : +82(2)8182-700	FAX : +82(2)8182-715
Singapore	TEL : +65-6332-2322	FAX : +65-6332-5662
Malaysia / Kuala Lumpur	TEL : +60(3)7958-8355	FAX : +60(3)7958-8377
Philippines / Manila	TEL : +63(2)807-6872	FAX : +63(2)809-1422
Thailand / Bangkok	TEL : +66(2)254-4890	FAX : +66(2)256-6334

Japan /
(Internal Sales)

Tokyo	2-1-1, Yaesu, Chuo-ku, Tokyo 104-0082	TEL : +81(3)5203-0321	FAX : +81(3)5203-0300
Yokohama	2-4-8, Shin Yokohama, Kohoku-ku, Yokohama, Kanagawa 222-8575	TEL : +81(45)476-2131	FAX : +81(45)476-2128
Nagoya	Dainagayo Building 9F 3-28-12, Meieki, Nakamura-ku, Nagoya, Aichi 450-0002	TEL : +81(52)581-8521	FAX : +81(52)561-2173
Kyoto	579-32 Higashi Shiokouji-cho, Karasuma Nishi-iru, Shiokoujidori, Shimogyo-ku, Kyoto 600-8216	TEL : +81(75)311-2121	FAX : +81(75)314-6559

(Contact address for overseas customers in Japan)

Yokohama	TEL : +81(45)476-9270	FAX : +81(045)476-9271
----------	-----------------------	------------------------